

# LC Filters Design Tool

Calculate LC filters circuit values with low-pass, high-pass, band-pass, or band-stop response. Select Butterworth or Chebyshev filter type, with filter order up to 20, and arbitrary input and output impedances.

### Filter Properties

**Response**  
Lowpass

**Type**  
Chebyshev

**Topology**  
Shunt First

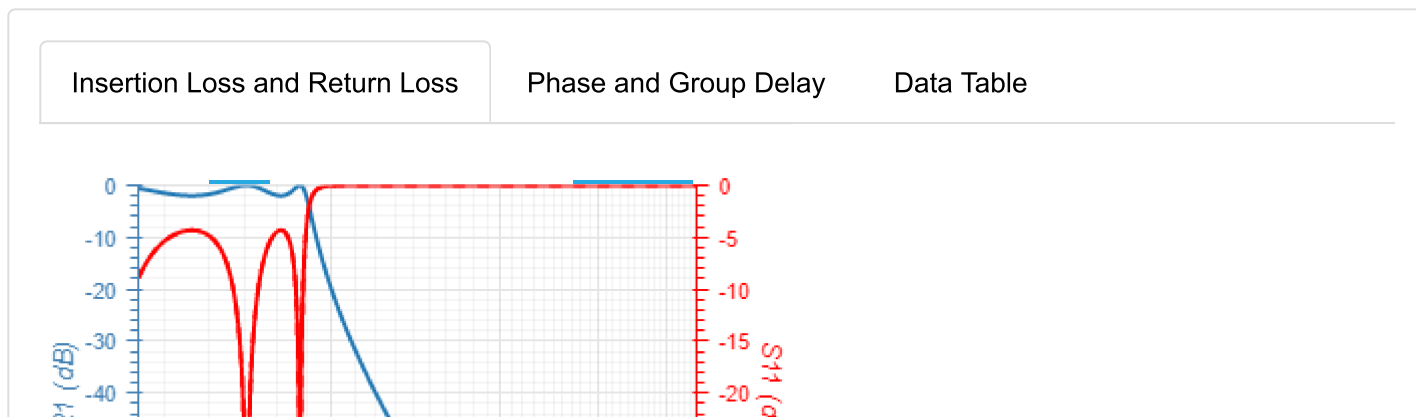
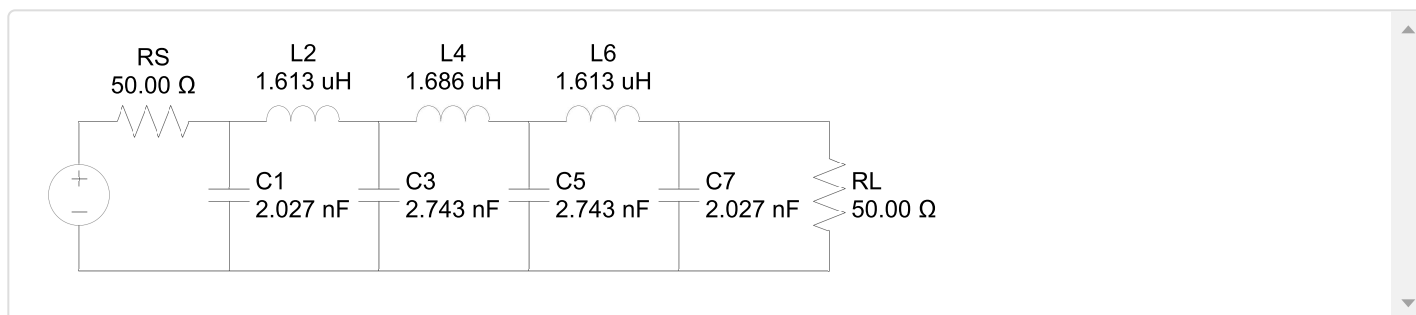
**Order**  
7

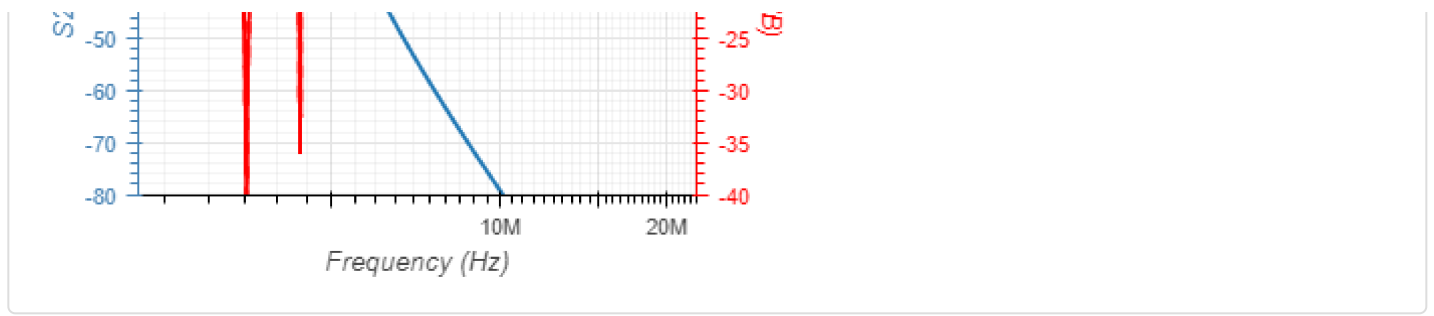
**Cutoff Frequency**  
4.5 MHz

**Passband Ripple (dB)**  
2

**Input Impedance ( $\Omega$ )**  
50

**Output Impedance ( $\Omega$ )**  
50





© 2017-2018 RF Tools | Rendered in 0.19855s